

UV/COD

12 UV-2700

UV/COD Monitor (Ultra-Violet Rays Absorvancy Method, Organic Pollution Monitor)

Capable of Simultaneous Display and Continual Measurement of COD value and Absorbance or COD value and Turbidity

(COD converted value : mg/ℓ)

(UV Abs)

(FTU or mg/ℓ)

LCD display with back light

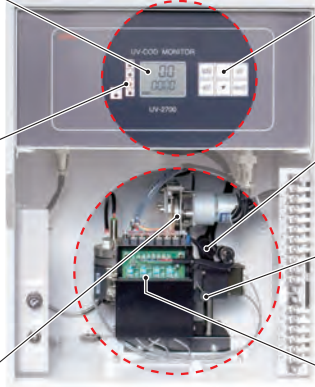
Easy to read in the dark
Top figure shows COD converted value
Lower shows Absorbance (UV, VIS, UV-VIS) or Turbidity (Formazin or Kaolin turbidity)
Absorbance or Turbidity (FTU or mg/ℓ) can be shown by NEXT switch

Operation display light

ALM : when mercury lamp deteriorates, it lights.
CLN : at the time of wiper cleaning, it lights.
UV : display lamp of UV (254nm) at measuring mode
VIS : display lamp of VIS (546nm) at measuring mode
MAINT : at the time of maintenance, it lights and holds transmission output.

Measuring cell cleaning function

Automatic cleaning of measuring cell by operating wiper once an hour. Cleaning cycle is changeable by setting. Also, chemical injection unit is linked to this cleaning cycle.



Simple key operation

Calibration and measurement is simple by only 6key operation
MODE, ▲, ▼, NEXT, MAINT

Easily attachable or removable optical unit

Easily removed and inspected at the time of maintenance.

With calibration filter knob

For span calibration of UV-COD meter.
Filter is Push ON, pull OFF type.

Easily maintained I/V circuit board

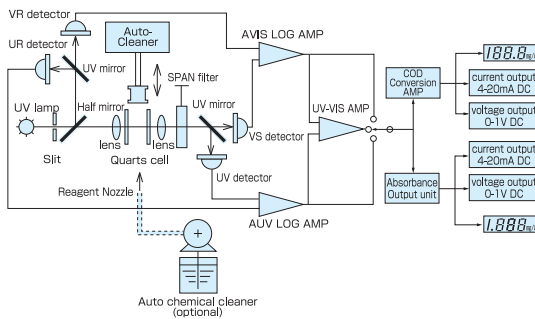
Inspect and adjust I/V board at the front.



COD value & UV/turbidity measurement
UV-2700 (STD.)

Outline

This UV-COD monitor has the COD value conversion function, can display both UV absorbency and COD value at the same time, and makes the measuring / recording, to be answering to the requirement for the 21 Century. The influence of the polluted elements can be corrected by the operation circuit making the difference between UV signal & VIS signal & measures COD element exclusively. This improved system has increased the measuring reliability of the instrument.



Meter

Measuring principle	2-wavelength light absorbance method (UV:254nm/VIS:546nm)
Measuring method	Circulating cell system by drawing sample water (cell length:10mm)
Display	LCD 4 digits Top:COD display Lower:select one of UV Abs/VIS Abs/UV-VIS Abs/Turbidity
Measuring range	COD: 0~50.0/100.0/200.0 mg/ℓ UV Abs: 0.000~0.500//1.000/2.000 Abs VIS Abs: 0.000~0.500//1.000/2.000 Abs UV-VIS Abs: 0.000~0.500//1.000/2.000 Abs Turbidity: 0~250/500/1000*(formazin turbidity standard)
Transmission output	Output 1: DC 4~20mA(isolation type) load resistance less than 500Ω DC 0~1V (no isolation type) Output 2: DC 4~20mA(isolation type) load resistance less than 500Ω DC 0~1V (no isolation type) Output 1: Select among COD/UV Abs/VIS Abs/UV-VIS Abs Output 2: Select among UV Abs/VIS Abs/UV-VIS Abs/Turbidity *Output 1 & 2 can hold during calibration and setting.
COD conversion function	COD(mg/ℓ):(y) = a + bx is possible to set a: Intercept b: slope x: UV Abs or UV-VIS Abs *Obtain correlation between (manually analyzed) UV value and COD value and correlation coefficient (r) before use
Cleaning method	Wiper cleaning Cleaning cycle:once an hour (possible to set within 10 min. and 24 hrs.) Cleaning time:possible to set 1~5 times
Power supply	AC 85~240V 50/60 Hz
Calibration	Zero : pure, distilled water/tap water Abs Span: ① calibration filter 0.8 Abs (Standard) ② potassium hydrogen phthalate solution (additional preparation is necessary)
Standard component	Monitor (UV-2700), testing tank ball valve (13A), spare fuse, O ring set, Cleaning rubber
Optional accs.	Fixing stand (65A), Shade cover (SUS-304), Chemical cleaning unit(UVCL-70), Correlation examination, AQUA monitor unit, instrument for Aqua monitor (UV-2700Z)