

25 TURBIDITY METER

TR-55

90° Scatter Light / Transmitting Light System



Measuring Outline

Paralleled bundle of Light from LED is decreased by Turbidity substance and reaches to transmitting Light Receiver. The Receiver placed at the 90 degrees against Light Source Measures scattered Light produced in proportion to Turbidity Substance at the Same Time, and measures exactly the Turbidity from low Density to high Density.

Near-Infrared Turbidity Detector without outer disturbance Influence

Near-Infrared Pulse Lighting /cutting filter of Visible Light is installed, therefore, less influenced by the outer Light or Colority of the Sample.

Measuring range 0~1100
 Minimum Display 0.01(Under 11 degree)
 0.1(Under 110 degree)

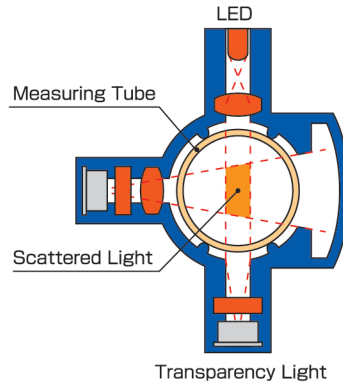
Scattered / Transmitted Light Measuring System!
 Measures from low Density to high Density sensitively.

3 Steps Auto-Range Changing System

Stable ZERO Calibration
 by Special Cell



Reliable measuring Value
 by Special Cell



Specifications

Product Name/Model	Turbidity Meter TR-55
Measuring Range	0~1100 degree (or FTU) 3 steps Auto-Range shift
Measuring Unit	Polystyrene Turbidity : degree Formazine Turbidity : FTU
Display	LCD 3·1/2 digits
Resolution	0.01 / 0~10.99 0.1/11.0~109.9 1/110~1100
Accuracy	Within ±2% (Under FS : 100) Within ±3% (Under FS : 1000)
Auto Power off	After Display of the measured value for 5 seconds
Sample value	10m ℓ
Power Supply	Alkaline Battery LR03×4 (DC6V)
Dimensions	Meter : 75(W)×38(H)×180(D)mm Detector : φ40×248(L)mm
Weight	Meter : 310g
Standard components	Turbidity Meter, Standard Solution : 100, 10 each 30m ℓ Measuring Cell 4 pcs, Carrying Case,
Optional Accessories	Mixed Polystyrene Turbidity Solution : 100 or 10 each 60m ℓ Formazine Turbidity Std. Solution : 100 or 10 each 60m ℓ